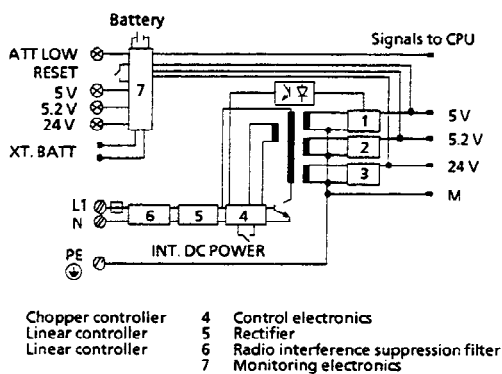
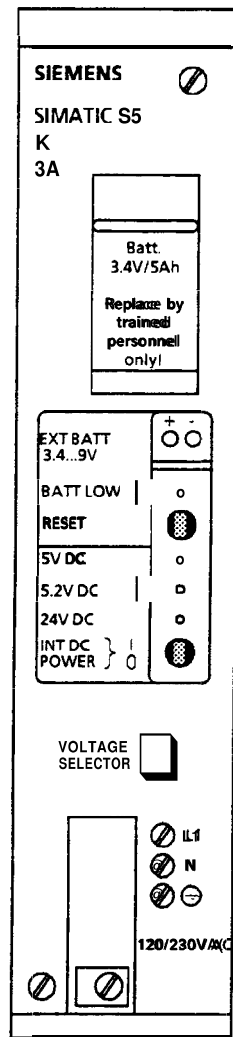


Power Supply Module PS 951 120/230 V AC; 5 V, 3 A

(6ES5951-7LB21)



simplified schematic

Technical Specifications

<b>Input voltage L1</b>	
- Rated value	120/230 V AC
- Permissible range	94 to 132 V/ 187 to 264 V
<b>Line frequency</b>	
- Rated value	50 Hz
- Permissible range	47 to 63 Hz
<b>Input current at 120/230 V</b>	
- Rated value	0.55/0.33 A
- Inrush current	max. $15 \times I_N$
- $I^2t$	0.135 A <sup>2</sup> s
<b>Power consumption (active power)</b>	44.8 W
<b>Output voltage</b>	
- Rated value	5 V
- Tolerance	$\pm 1.5\%$
<b>Output current</b>	
- Rated value without fan	3 A
- Rated value with fan	3 A
- Permissible range	0.3 A to 3 A
<b>Output voltage (PG/OP)</b>	
- Rated value	5.2 V
- Tolerance	$\pm 1.5\%$
<b>Output current</b>	max. 1 A
<b>Output voltage (auxiliary voltage)</b>	
- Rated value	24 V
- Tolerance	$\pm 5\%$
<b>Output current</b>	max. 0.2 A
<b>Backup battery</b>	
- Backup time	min. Lithium battery, size C (3.6 V/5 Ah) 1 year (at 0.3 mA, 25°C and uninterrupted backup)
<b>Mains buffering (at L1<sub>min</sub>)</b>	min. 20 ms
<b>Short-circuit protection</b>	Electronic
<b>Fault indicator</b>	No
<b>Fuse (primary circuit)</b>	Integral
<b>Galvanic isolation</b>	Yes
<b>Isolation rating</b>	Safe electrical isolation according to VDE 0160 2700 V DC
- Tested with	
<b>Initial discharge current to VDE 0160 at 230 V AC</b>	2.6 mA
<b>RI specifications</b>	A according to VDE 0871
<b>Power losses of the module</b>	typ. 19.8 W
<b>Weight</b>	approx. 1.6 kg (3.53 lb.)