



element14

---

**EN** - For pricing and availability in your local country please visit one of the below links:

**DE** - Informationen zu Preisen und Verfügbarkeit in Ihrem Land erhalten Sie über die unten aufgeführten Links:

**FR** - Pour connaître les tarifs et la disponibilité dans votre pays, cliquez sur l'un des liens suivants:

[PSR-SCP-24DC/ESP4/2X1/1X2](#)

**EN**

This Datasheet is presented by  
the manufacturer

**DE**

Dieses Datenblatt wird vom  
Hersteller bereitgestellt

**FR**

Cette fiche technique est  
présentée par le fabricant

# PSR-SCP- 24DC/ESP4/2X1/1X2

Order No.: 2981020




<http://eshop.phoenixcontact.co.uk/phoenix/treeViewClick.do?UID=2981020>

Safety relay for SIL 3 high and low demand applications, also approved according to EN 50156, Germanischer Lloyd and EN ISO 13849, emergency stop and safety door monitoring, single-channel, 2 enabling current paths, 1 alarm contact, plug-in terminal blocks, width: 22.5 mm



## Commercial data

EAN	 4 017918 911065
Pack	1
Customs tariff	85364900
Country of Origin	DE
Catalog page information	Page 39 (IF-2011)

## Product notes

WEEE/RoHS-compliant since:  
28/08/2006



Please note that the data given here has been taken from the online catalog. For comprehensive information and data, please refer to the user documentation at <http://www.download.phoenixcontact.com>. The General Terms and Conditions of Use apply to Internet downloads.

## Technical data

### Input data

Nominal input voltage $U_N$	24 V DC
Input voltage range in reference to $U_N$	0.85 ... 1.1
Typical input current at $U_N$	50 mA DC

Typical inrush current	< 1 A
Voltage at input/start and feedback circuit	24 V DC
Typical response time	60 ms (Automatic/manual start)
Typical release time	20 ms
Recovery time	Approx. 1 s

#### Output data

Contact type	2 enabling current paths, 1 signaling current path (type B according to EN 50205)
Contact material	AgSnO <sub>2</sub> , gold-flashed
Maximum switching voltage	250 V AC/DC
Minimum switching voltage	10 V
Limiting continuous current	6 A (N/O contact/N/C contact, high demand)
	4 A (N/O contact/N/C contact, low demand)
Maximum inrush current	6 A
Inrush current, minimum	10 mA
Sq. Total current	$72 \text{ A}^2 (I_{TH}^2 = I_1^2 + I_2^2)$
Interrupting rating (ohmic load) max.	144 W (24 V DC, $\tau = 0 \text{ ms}$ )
	200 W (48 V DC, $\tau = 0 \text{ ms}$ )
	77 W (110 V DC, $\tau = 0 \text{ ms}$ )
	70 W (220 V DC, $\tau = 0 \text{ ms}$ )
	1500 VA (250 V AC, $\tau = 0 \text{ ms}$ )
Maximum interrupting rating (inductive load)	42 W (24 V DC, $\tau = 40 \text{ ms}$ )
	40 W (48 V DC, $\tau = 40 \text{ ms}$ )
	35 W (110 V DC, $\tau = 40 \text{ ms}$ )
	33 W (220 V DC, $\tau = 40 \text{ ms}$ )
Switching capacity min.	0.2 W
Output fuse	6 A gL/gG NEOZED (High demand)
	4 A gL/gG NEOZED (Low demand)

#### General data

Width	22.5 mm
Height	99 mm
Depth	114.5 mm
Ambient temperature (operation)	-20 °C ... 55 °C
Ambient temperature (storage/transport)	-40 °C ... 70 °C
Relay type	Electromechanically forcibly guided, dust-proof relay.

Mechanical service life	Approx. $10^7$ cycles
Mounting position	On horizontal and vertical DIN rail
Category according to EN 13849-1	4
Stop category	0
Name	Air and creepage distances between the power circuits
Standards/regulations	DIN EN 50178/VDE 0160
Rated surge voltage / insulation	6 kV / Safe isolation, increased insulation
Rated insulation voltage	250 V
Pollution degree	2
Surge voltage category	III
Housing material	Polyamide PA non-reinforced

#### Connection data

Conductor cross section solid min.	0.2 mm <sup>2</sup>
Conductor cross section solid max.	2.5 mm <sup>2</sup>
Conductor cross section stranded min.	0.2 mm <sup>2</sup>
Conductor cross section stranded max.	2.5 mm <sup>2</sup>
Conductor cross section AWG/kcmil min.	24
Conductor cross section AWG/kcmil max	12
Stripping length	7 mm
Screw thread	M3
Connection method	Screw connection

#### Certificates

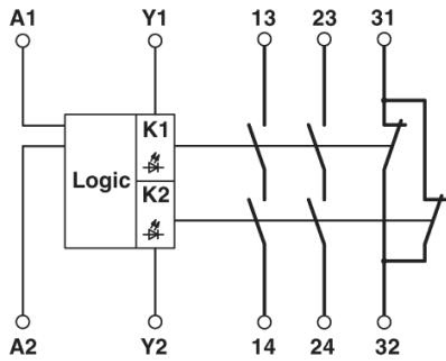


Certification

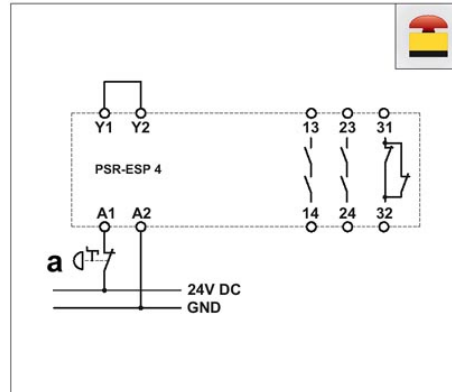
CUL Listed, GL, GOST, TUEV-RH, UL Listed

**Drawings**

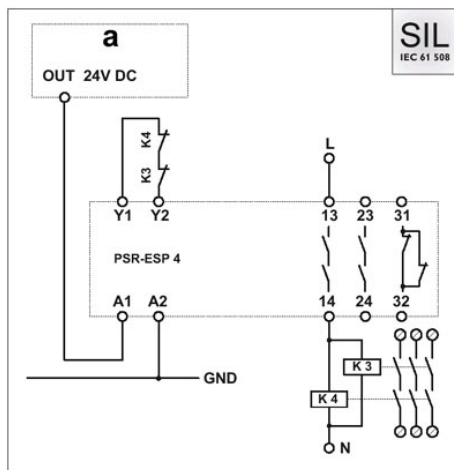
Circuit diagram



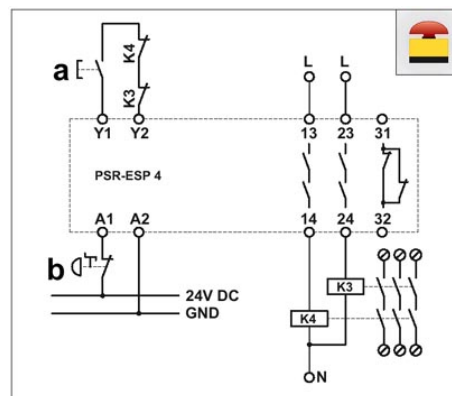
1 = logics



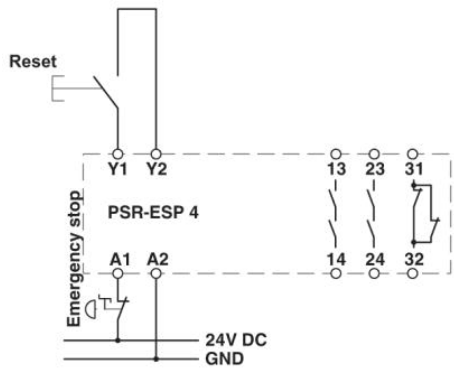
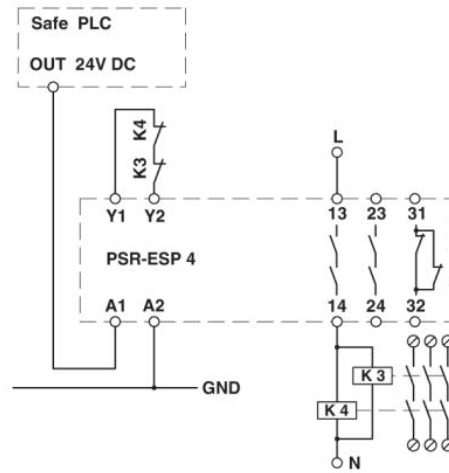
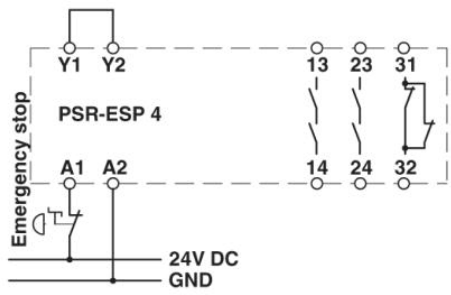
One-channel emergency stop circuit with automatic activation, suitable up to safety category 2.



One-channel evaluation of a safety controller with automatic activation, suitable up to SIL 3.



One-channel emergency stop circuit with manual activation and monitored contact expansion, suitable up to safety category 2.



**Address**

PHOENIX CONTACT Ltd  
Halesfield 13  
Telford / Shropshire / TF7 4PG,England  
Phone 01952 681 700  
Fax 01952 681 799  
<http://www.phoenixcontact.co.uk>



Phoenix Contact Ltd.  
Technical modifications reserved;



element14

---

**EN** - For pricing and availability in your local country please visit one of the below links:

**DE** - Informationen zu Preisen und Verfügbarkeit in Ihrem Land erhalten Sie über die unten aufgeführten Links:

**FR** - Pour connaître les tarifs et la disponibilité dans votre pays, cliquez sur l'un des liens suivants:

[PSR-SCP-24DC/ESP4/2X1/1X2](#)

**EN**

This Datasheet is presented by  
the manufacturer

**DE**

Dieses Datenblatt wird vom  
Hersteller bereitgestellt

**FR**

Cette fiche technique est  
présentée par le fabricant